

## RS232 - RS485 - Ethernet multiport module Type "MLNMOD02"



(MLNMOD02 mounted inside FWSMOD01)

- Up to three RS232 (Dsub 9) serial ports or two RS232 + one RS485 (Dsub 9) serial port
- Ethernet communication port with industrial plug
- Embedded Webserver for remote access from any standard web browser on local networks or from the Internet
- Easy configuration of serial communication protocols and Ethernet network parameters
- Adds Ethernet connectivity and Web enables the Multiline or Single unit gravimetric dosing controllers or other serial devices
- Expands serial RS232 and RS485 communication ports for the Multiline or Single unit gravimetric dosing controllers
- Direct mounting inside the Multiline FWSMOD01 enclosure
- PLCs / PCs communication protocols and field bus supported
- 16 digital Inputs + 16 open collector digital outputs or 8 digital Inputs + 24 open collector digital outputs
- External AT modem support (optional)

### Short description

MLNMOD02 is a multiport communication module with up to three serial RS232 ( 1 RS485) ports, one Ethernet RJ45 communication port and a certain number of on board digital inputs and outputs.

One RS232 has full modem handshake capability and allows optional remote connection through telephone line instead of the default remote connection through Ethernet networks or Internet.

Two different models for 8 digital inputs + 24 digital outputs or 16 digital inputs + 16 digital outputs.

Several communication protocols allows to interface the unit to PLCs or PCs and each of the serial ports can be configured for a different protocol. Embedded drivers for ASCII PC, ASCII PLC, Simatic 3964R and Modbus RTU are available. Supports the integration as slave on Profibus - DP field bus. It is directly mounted inside the Multiline FWSMOD01 enclosure.

### Configuration

An easy to use and free of charge configuration software allows to configure the communication protocols, network parameters and the user access passwords. If you forget the passwords, don't worry, they can be restored to defaults.

### Embedded webserver

The integrated webserver allows to connect from remote hosts using standard web browsers such as Internet Explorer, Netscape, Konqueror, .... There is no need to install any application in the remote host so you can connect from any Internet host. Two different access passwords for read and read / write operations. Multiple connection is allowed.

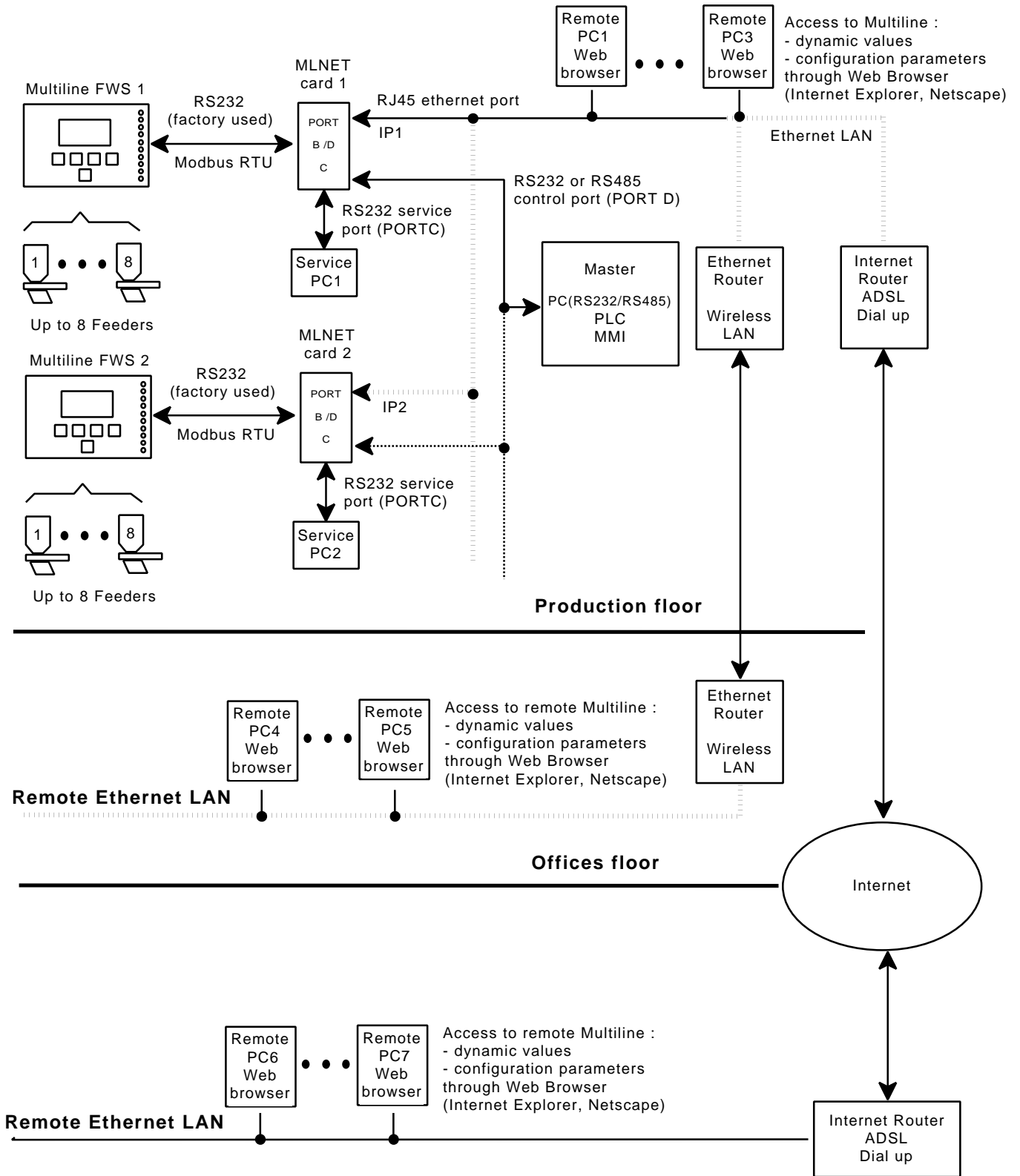
### Digital inputs and outputs

Digital inputs and outputs can be read or driven through serial ports or from remote Ethernet / Internet hosts.

### Add Ethernet / Internet connectivity to Multiline and Single unit gravimetric controllers

MLNMOD02 can be used to add Ethernet / Internet connectivity to the Multiline and Single Unit gravimetric dosing controllers and to expand their serial communication ports. It allows to monitor dynamic values, change configuration parameters and control the feeding process from remote hosts on local Ethernet network or from the internet. Multiline and Single unit MMI software applications support Ethernet and Wireless LAN technology.

# Application



## Technical specification

Serial interfaces	: 3 RS232 Dsub 9 or 2 RS232 + 1 RS485 Dsub 9
Ethernet port	: 1 industrial RJ45 Ethernet plug
Digital inputs	: 16 or 8 digital inputs Logical 0 $\cong$ <3V (min. 0V) ; Logical 1 $\cong$ >10V (max. 24V)
Digital outputs	: 16 or 24 open collector digital outputs Open collector max voltage 24V (open), max current 30 mA
Versions	: Module version or 3HE rack version

Authorized Agency :